



输出功率: 约2~40W

碳刷马达

典型应用: 家用电器

电动玩具

电动工具

OUTPUT: APPROX 2~40W

Carbon-brush Motors

Typical Applications: Household Appliances

Electric Toys

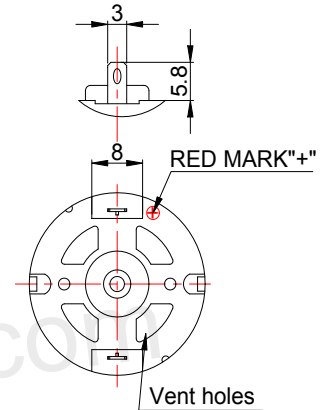
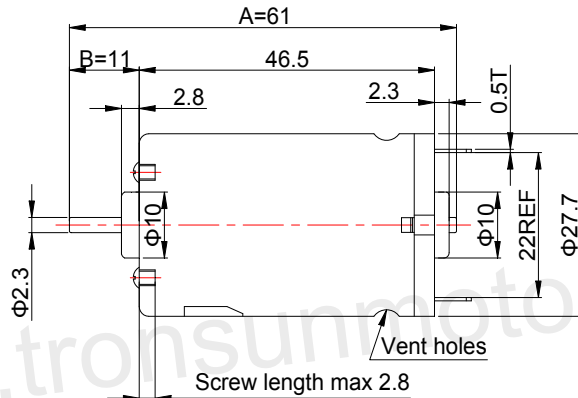
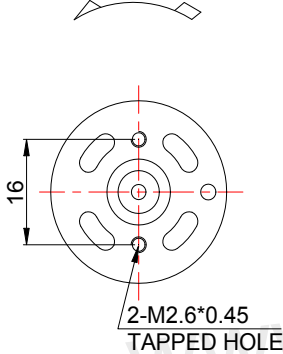
Electrical Tools

## 1. OUTLINE DRAWING:

UNIT:MM

DIRECTION OF ROTATION

CCW

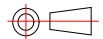


Customizable Parameters:

1. Length A and B
2. Electric Performance
3. Direction of Rotation

WEIGHT: 102g(Approx)

View:



## 2. MOTOR PERFORMANCE :

MODEL	VOLTAGE		NO LOAD		AT MAXIMUM EFFICIENCY				STALL			
	OPERATING RANGE	NOMINAL V	SPEED rpm	CURRENT A	SPEED rpm	CURRENT A	TORQUE g.cm	TORQUE mN.m	OUTPUT W	TORQUE g.cm	TORQUE mN.m	CURRENT A
RS-390SA-4536R	3.0~10.0	9.0	17300	0.64	14754	3.71	153	15.01	23.15	1040	102.06	21.50
RS-395PA-2075R	6.0~13.0	12.0	5600	0.12	4625	0.57	90.9	8.92	4.31	522	51.23	2.70
RS-395SA-15120	6.0~24.0	24.0	7800	0.07	6265	0.30	72.2	7.09	4.64	385	37.78	1.30
RS-390PA-4832	3.0~7.0	6.0	16200	0.93	13800	5.50	152	14.92	21.51	1050	103.04	32.50

