



输出功率: 约8~250W
碳刷马达

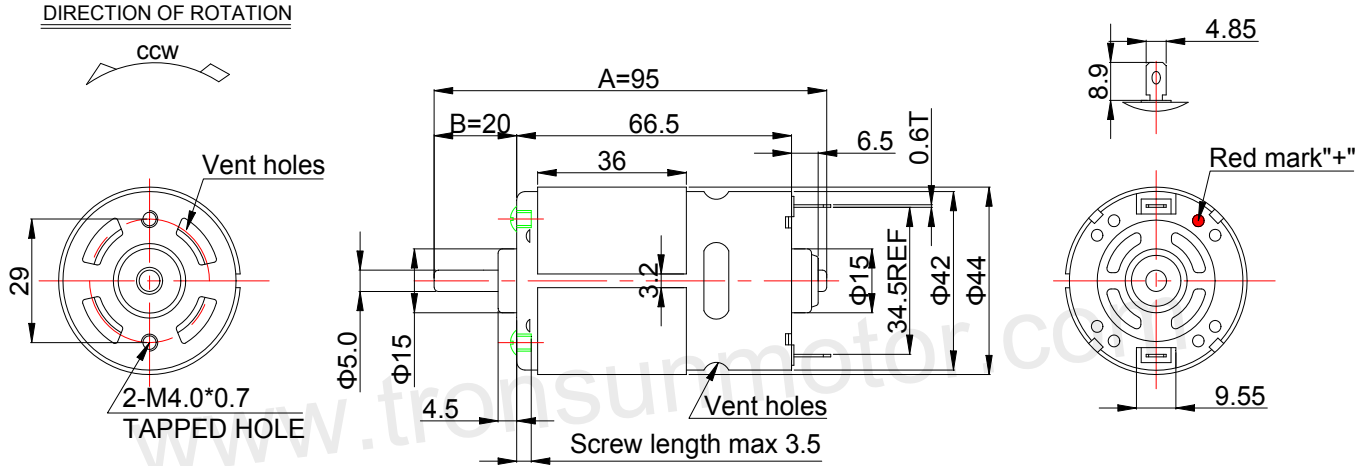
OUTPUT:APPROX 8~250W
Carbon-brush Motors

典型应用: 家用电器
电动玩具
电动工具

Typical Applications: Household Appliances
Electric Toys
Electrical Tools

1.OUTLINE DRAWING:

UNIT:MM

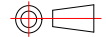


Customizable Parameters:

1. Length A and B
2. Electric Performance
3. Direction of Rotation

WEIGHT: 350g(Approx)

View:



2.MOTOR PERFORMANCE :

MODEL	VOLTAGE		NO LOAD		AT MAXIMUM EFFICIENCY				STALL			
	OPERATING RANGE	NOMINAL	SPEED	CURRENT	SPEED	CURRENT	TORQUE	OUTPUT	TORQUE	CURRENT		
	V	V	rpm	A	rpm	A	g.cm	mN.m	W	g.cm	mN.m	A
RS-775PH-7417	5.0~13.0	12.0	12000	1.55	10490	10.90	856	84.00	92.10	6835	670.76	75.60
RS-775PH-4538R	5.0~13.0	12.0	5100	0.55	4338	3.13	576	56.53	25.63	3852	378.02	17.80
RS-775PH-4543R	5.0~25.0	24.0	8800	0.71	7680	4.88	1080	105.99	85.07	8520	836.11	33.50
RS-775PH-8510FR	5.0~12.0	10.8	17000	2.3	14750	15.20	815	79.98	123.29	6180	606.48	99.60

